



TIARA
THAMMASAT INSTITUTE OF AREA STUDIES

Thammasat Institute of Area Studies

WORKING PAPER SERIES 2020

*Understanding How Celebrities Influence Donors
Participation in Social Crowdfunding (The Mediating Role
of News Media Coverage and Online Social Networks)*

Agung Maulana

December 2020

THAMMASAT UNIVERSITY

PAPER NO. 08 / 2020

Thammasat Institute of Area Studies, Thammasat University
Working Paper Series 2020

*Understanding How Celebrities Influence Donors Participation in
Social Crowdfunding (The Mediating Role of News Media Coverage
and Online Social Networks)*

Agung Maulana

Thammasat Institute of Area Studies, Thammasat University
99 Moo 18 Khlongnueng Sub District, Khlong Luang District,
Pathum Thani, 12121, Thailand

©2020 by Agung Maulana. All rights reserved. Short sections of text, not to exceed two paragraphs, may be quoted without explicit permission provided that full credit including © notice, is given to the source.

This publication of Working Paper Series is part of Master of Arts in Asia-Pacific Studies Program, Thammasat Institute of Area Studies (TIARA), Thammasat University. The view expressed herein are those of the authors and do not necessarily reflect the view of the Institute.

For more information, please contact Thammasat Institute of Area Studies (TIARA), Pathumthani, Thailand

Telephone: +66 2 564 3129

Fax: + 66 2 564 2849

Email: tiara.thammasat@gmail.com

TIARA Working papers are circulated for discussion and comment purposes.

Comments on this paper should be sent to the author of the paper,

Mr. Agung Maulana Email: agungmaulana893@gmail.com

or Thammasat Institute of Area Studies, Thammasat University

Abstract

This research proposes multiple mediating regression model to examine the role of news media coverage which represented by the number of news spread by digital news media related on the fundraising activities, as well as the role of online social networks (OSNs) size as a driven factor of information diffusion in social media which measured by the number of social media follower in Instagram amid the relationship between celebrity endorsement as a fundraiser and donors' participation and crowdfunding performance. This study collected and examined 220 social campaigns on the largest donation-based platform in Indonesia (www.kitabisa.com) as samples. To solve the hypotheses, we run model 4b and 80 on Process Macro SPSS to set path analysis process based on bias corrected bootstrapping method. The result shows that either direct or indirect effect, news media coverage or size of online social networks help celebrity endorsement to attract donors to participate on the campaign they brought as the total effect of celebrity endorsement has increase thanks to the existence of these two critical aspects (based on model 4b). Beside, donors' participation with media coverage process and large size of online social networks simultaneously has been proven to urge donation performance of a campaign (based on model 80). Theoretical and practical contributions further explained on the discussion.

Keywords: Celebrity Endorsement, Crowdfunding Participation, Media Effects, Online Social Networks (OSN)

1. Introduction

Previous research from Belleflamme et al., (2013) and other studies regarding the role of fundraiser's status in crowdfunding should be extended due to the birth of new players in crowdfunding that brought several implications on crowdfunding practice especially the existence of celebrities and influencers endorsement as a fundraiser. The existence of celebrity both as a fundraiser or endorser within a philanthropy campaign became a representative of peripheral cues that give a positive signal and evaluation to the potential donors which in turn will increase trustworthiness (Guo, Zhou, Chen, & Huy, 2015; Petty, Cacioppo, & Goldman, 1981). Celebrity serves as a key intangible asset for certain stakeholders such as firms and philanthropy organizations and provides some opportunities and advantages for instance boosts company image and stock market performance, as well as donation performance (in philanthropy context) (Ketchen, Adams, & Shook, 2008). In some literatures, all those things that explained above often to be called as celebrity capital (Driessens, 2013).

By leveraging celebrity capital, the attractiveness, trustworthiness, and likeability of celebrities and influencers are often to be used for endorsements (Erdogan, 1999). Attention and sales level of a product tends to increase when a spokespersons have celebrity capital. It's also can be leveraged by crowdfunding platform companies in the world (Tom et al., 1992). Celebrities and influencers have some advantages compared to non-celebrity person (Creek, 2018). Especially for the close relationship on the media coverage they had that cannot be separated. Celebrities and influencers create their own brand image and positive personality that leveraged by firms, media, and the product they endorsed on and media will deploy and forms celebrities' charms to increase their popularity (Creek, 2018; Hayward, Rindova, & Pollock, 2004; Zauner, Fink, Maresch, & Aschauer, 2012).

In the context of philanthropy, celebrity's fames will attract potential donors to be triggered to participate in a campaign. It could be happened given the cognitive, behavioral, and psychological media effects contained in the propagation of news by mainstream and digital media (Potter, 2017). Celebrity news brought by digital news platforms is an effective communication technique that takes an urgent role to ensure the circulation of information regarding social projects posted running well and could be received by common people as a

shared understanding (Giudici, Guerini, & Rossi-Lamastra, 2018; Robiady, Windasari, & Nita, 2020). People always curious about celebrities' update as they have strong interest in the celebrity life which is considered as the perfect life that many people dream of (Dubied & Hanitzsch, 2014). Celebrity news became a reflection on how celebrity and media could not be separated and always be a single unit thanks to their strong correlation.

Beside the close relationship between celebrities and news media, celebrities also have other advantage compared with non-celebrity fundraiser in which they have bigger social networks, fandom, and followers in social media (Arifianto et al., 2018). The huge followers on social media celebrities have like Instagram, helps to speed up the information diffusion and the deployment of celebrities' news that be able to propagate information (Remy, Pervin, Toriumi, & Takeda, 2013). Empirically, social media networks like Twitter, Facebook, and Instagram are effective at passing information along during humanitarian or disaster crisis. Given the urgent nature of campaigns in social crowdfunding, the critical role of information diffusion in social media can also help fundraisers to speed up fundraising process (Altay & Pal, 2014; Liu, Suh, & Wagner, 2018; Remy et al., 2013; Yoo, Rand, Eftekhar, & Rabinovich, 2016).

The detail discourse about how celebrities or influencers as an endorser could influence the success of philanthropy program is actually not a new issue in the literature. Yet, to our best knowledge, the specific discourse about the role of celebrity on the digital social crowdfunding practice is still rare especially on the perspective outside China and western countries like UK or US. Therefore, this research tends to extend previous discussion regarding to what extent the influence of celebrities endorsement and their capital advantages which are media exposure and wider online social networks will affect donors' participation and crowdfunding performance statistically. This study aims to explore the direct and indirect effect of celebrities or influencers endorsement as a fundraiser on donors' participation and engagement as well as donation performance in digital social crowdfunding practice.

2. Literature Review

2.1 Celebrity Capital and Endorsement on Crowdfunding Philanthropy

The role of status embedded within an individual or organization as a fundraiser whether they are for-profit, nonprofit, celebrities, or individuals influences the crowdfunding performance (Kaartemo, 2017). Belleflamme, Lambert, & Schwienbacher (2013) have argued that every single type of fundraiser has its own characters, reputation levels, communication strategies, different level of focus in seeking personal benefits, and different size of social network ties back them that lead to the campaign succeed. It will give difference implications to the donor's decision to choose which type of fundraiser that be able to convince them.

As time goes by, philanthropy practice in social crowdfunding nowadays has favored by various groups of society and professional individuals such as scientists, freelancers, activists, politicians and athletes, including celebrities and influencers. Both celebrities and influencers have very huge followers on social media which could be maximized for marketing and advertising purposes (Schouten, Janssen, & Verspaget, 2020). This research doesn't try to separate these two status since they have similar digital capital in the context of network size. Instead of focus on the differences of these kinds of status, this research combines them as a single unit and become one element of variable of celebrity endorsement (De Veirman, Hudders, & Nelson, 2019; Enke & Borchers, 2019; Schouten et al., 2020).

Celebrity philanthropy (celanthropy) and advocacy became apropos individual strategic philanthropy to influence intention to donate of the donors through co-branding alliance with charitable organizations as well as a new strategy of social crowdfunding across countries to enhance their brand image and organization legitimacy (Babiak, Mills, Tainsky, & Juravich, 2012). As we mentioned before, celebrity serves as a key intangible asset for certain stakeholders such as firms and philanthropy organizations and provides some opportunities and advantages for instance boosts company image and stock market performance, as well as donation performance (in philanthropy context) (Ketchen et al., 2008). In some literatures, all those beneficial things that explained above related on the celebrities often to be called as celebrity capital (Driessens, 2013). Celebrities and influencers more likely to raise much

donation rather than any other types of fundraisers since their reputation, strong personality branding, and wider social network will easily attract customer engagement and intention to donate (Wheeler, 2009).

However, some people might have perspective that celebrities solely intend to increase their popularity and brand image and lack of sincerity when they try to make a social campaign in crowdfunding platform that lead donors to decrease their willingness to donate (Hassid & Jeffreys, 2015). Research from By Harris Interactive and Third Sector in 2018 revealed that 69 percent of respondents were less likely to donate in a campaign that has an endorsed celebrity. Two-third of respondent said that celebrity endorsement in a social campaign does not influence their willingness to donate (Ricketts, 2018). Study of US millennial internet users from Roth Capital Partners in 2017 instead found that nearly four in ten millennial thought that paid endorsement will erode credibility of the product. 78% of millennial in US had a negative view on celebrity endorsements or were indifferent to the practice related to making a purchase (Chadha, 2017).

Through the socialization in social media and cognitive process of news media exposure, a campaign which brought by celebrities and influencers could be propagated, advertised, and explained broadly on the internet. We still believe that celebrity and influencer endorsement as a fundraiser in digital philanthropy activities influences donors' participation and performance thanks to their embedded capital status as a celebrity that can be able to affect donors' attention. Yet, depends on celebrity itself without any helps from those two critical aspect might less strong to influence donors' attention and participation. Therefore, we set our first hypothesis as follow:

H1: In a direct relationship, celebrities and influencers endorsement as a fundraiser will affect positively on donors' participation but not in significant scale

2.2 When News Media Coverage Bridging the Celebrity Endorsement to Influence Philanthropic Participation in Social Crowdfunding

The important role of news media has been proven in the effort on influencing some economic and business performance such as stock market performance or investor decision making (Niederhoffer, 1971). While in the context of philanthropy, celebrity's fame will attract people to be triggered to participate in a voluntary activities (Yörük, 2012). Media coverage on charitable fundraising activities could help related stakeholders to urge the fundraising performance in the period of disaster crisis (Waters & Tindall, 2011). The combination between celebrity and news media coverage would be very useful to urge the donation intention and even the crowdfunding performance.

Celebrity as a fundraiser or brand ambassador of social foundation will strengthen the social crowdfunding website or organization's credibility (Babiak et al., 2012). Celebrities and influencers are often regarded as dedicated, disciplined, and have a strong soul to inspiring people, thus it would be easy to encourage people to put sympathy on the social campaigns of the foundation (Y. Yang, Zhou, & Zhang, 2019). The emergence of celebrity journalism or celebrity news becomes a reflection on how celebrity and media could not be separated and always be a single unit thanks to their strong correlation (Dubied & Hanitzsch, 2014). Celebrity news brought by the digital news platforms is an effective communication could be a good technique for social crowdfunding and takes an urgent role to ensure the circulation of information regarding social projects posted running well and could be received by common people as a shared understanding (Giudici, Guerini, & Rossi-Lamastra, 2018; Robiady, Windasari, & Nita, 2020).

On the other hand, previous works have proven that informational effect on news media changes public's knowledge (Potter, 2017), market structure and investor attitude (Narayan & Narayan, 2017), and even consumer behavior (Sutherland & Galloway, 1981). The informational effect of news media was not just affecting public's behavior in the context of sociology and business, but also in the context of philanthropic manners. Since long time ago, mass media has widely used as a strategy to promote philanthropy causes (Thrall et al., 2008; Waters, 2013; Waters & Tindall, 2011; Yörük, 2012).

The existence of cognitive, behavioral, and psychological media effects contained in the propagation of news by mainstream and digital media affect people intention and decision making (Potter, 2017). The emotions evoked within the news coverage of national and international crisis can escalate the fundraising activities into the media's spotlight (Waters, 2013). Media succeed enough in influencing public awareness at least for the last 30 years. Media have been shown to have a positive correlation in the coverage of issues and their perceived importance by the public. Media salience of issues leads to the increased attention of the issues in public opinion (Waters, 2013).

In philanthropic cases, Waters & Tindall (2011) revealed that media coverage on charitable fundraising activities could help related stakeholders to urge the fundraising performance in the period of disaster crisis. Gene Zucker (1978) has argued since long time ago that the less time the issue has been shown in the media, and the less obtrusive an issue is, the greater is the news media's influence to affect public opinion about that. Scholars predicted that celebrity's fames will attract digital news media attention to make some coverage or exposure on their fundraising activities. At the same time, the media coverage would also attract people to participate in a voluntary activities thank to its effects. News media will bridging the popularity of celebrities and influencers to affect donors. Therefore, we set our next hypothesis as follows:

H2: The news media coverage by digital news media related on the social campaign significantly mediates the relationship between celebrity endorsement and donors' participation

Donors' participation and engagement is one of the media coverage's main goals. The success of celebrity endorsement activities to raise as much as donation is given their ability to attract donors' intention and participation to donate some money, buy some products, or give positive views or comments related to the products (Babiak et al., 2012; Tom et al., 1992; Wheeler, 2009; Xu, Jiang, & Zhou, 2020). The customer or donors' engagement believed would increase sales or donation performance in the end (Phua, Lin, & Lim, 2018; Robiady et al., 2020; Tom et al., 1992).

Within social and reward-based crowdfunding platforms such as Kickstarter or Kitabisa, donors allowed to be engaged in a campaign to give some comments either in a positive or negative precedence (Robiady et al., 2020) once after they are submitted as a donor. Virtual intimate interaction between fundraisers and donors in some extent would be converted into an action that can be monitored such as purchasing activities or donation participation (Ángeles Oviedo-García, Muñoz-Expósito, Castellanos-Verdugo, & Sancho-Mejías, 2014). Fundraisers can reply the comments from donors directly on the comments column or indirectly on the updates feature. Interestingly, in social crowdfunding platform especially in the targeted platform of this research (www.kitabisa.com), both donors' engagement and donors' participation incorporated into a single unit feature where donors who have submitted to donate their money could straightly make some comments on a campaign to make intimate interaction with fundraisers as free as they want.

This research will also contribute to examining the role of media coverage on fundraising activities in social crowdfunding platform. The attractiveness, trustworthiness, connections, involvement, motive attribution, and wider social network embedded on the celebrities and influencers will become media attention. Then, the media exposure on the fundraising activities of celebrities will bridging (mediate) celebrities and influencers to attract donors' participation and campaign performance. Based on the previous studies above, we believe that donors' participation will positively increase donation performance and therefore we set our next hypothesis as follow:

H3: The news media coverage by digital news media related on the social campaign and donors' participation simultaneously mediates the relationship between celebrity endorsement and donation performance

2.3 Important Role of Online Social Networks (OSNs) to Diffuse Charitable Fundraising Information in Social Media

Online social networking systems allow individuals to exchange information with any number of peers simultaneously. Beside, social networks is a very substantial factor for mobilizing people. Digital or online social networks has proven for being very critical aspect for discovery, search, marketing, information dissemination, and news sharing. Social media like Instagram, Twitter, Facebook, and Flickr became a digital version of social networks omnipresent (Bakshy, Rosenn, Marlow, & Adamic, 2012). Tweeting behavior in turn will affect the information diffusion of some events in Twitter.

Online network structure is important to affect information diffusion in social media (Huang & Sun, 2014; Taxidou & Fischer, 2014; J. Yang & Counts, 2010). One of the valuable aspect of information diffusion in social media is the size of digital social networks or in some literatures called followers network which usually reflected by the number of followers (Huang & Sun, 2014). On the other side, recent events have demonstrated that exchanging news in social media has become a phenomena of growing social, economic and political significance, as individuals nowadays can engage in news creation and diffusion in vast virtual societies worldwide (Lee & Ma, 2012).

The activeness of social media users will determine how widely an information will be spread both inside and outside social media networks (Lee & Ma, 2012; Lerman & Ghosh, 2010; Stieglitz & Dang-Xuan, 2013). The longer the users are active on a social media, the greater their involvement in spreading information from a news (Lee & Ma, 2012). Yoo, Rand, Eftekhari, & Rabinovich (2016) revealed that information diffusion plays critical role to deal with extreme levels of complexity and uncertainty in disaster relief operation. J. Kim, Bae, & Hastak (2018) argued that social media plays critical role in deploying urgent information throughout disasters. Related stakeholders on disaster management have created social media accounts as a source of information and communication channels (Lee & Ma, 2012).

Yoo et al., (2016) added that internal sharing through social media networks is advancing at a significantly higher rate than information from external sources on these networks. The result reflects that social media networks are successful in delivering information during humanitarian emergencies that involve immediate distribution of information. Talking about philanthropy, platforms to conduct charitable fundraising activities have also been evolved. Traditional ways such as direct fundraising on the street or selling pre-loved stuffs nowadays has complemented by utilizing the digital media such as social crowdfunding (Gerber, Hui, & Kuo, 2012). Contemporary charitable fundraising instead utilizes social media to share their activities to public (Lu, Xie, Kong, & Yu, 2014).

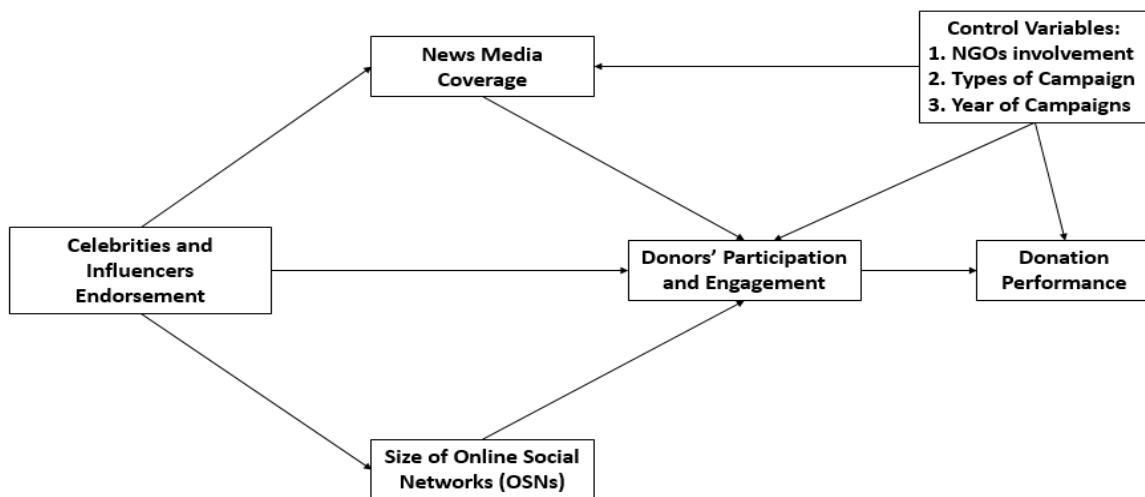
Social network size was found to be significantly influence to participation, deliberation, and conversation in a positive way (Shen, Wang, Guo, & Guo, 2009). The bigger fundraiser's online social networks, the easier for them to share fundraising information. Online social interactions based on interpersonal networks proven to enhance participatory behavior (Shen et al., 2009). Celebrity's size and quality of social network might be better as they have many close friendship with reputable businessman, legislators, other celebrities, and important persons in a country. Wider scope of social networks owned by celebrities allow them to maximize external donors (those who have relationships outside of kinship) than the internal one Zheng et al., (2014).

This research will examine the mediating role of online social networks as a driven factor of information diffusion in social media amid the relationship between celebrity endorsement on donors' participation as well as donation performance. we follow research from Huang & Sun (2014) to use this aspect as the measurement which reflected by the number of followers. Hence, we set our next hypotheses as follows:

H4: The online social networks (OSNs) size as a source of information diffusion significantly mediates relationship between celebrity endorsement and donors' participation

H5: The online social networks (OSNs) size as a source of information diffusion and donors' participation mediates the relationship between celebrity endorsement and donation performance

Figure 1: Conceptual Framework (Research Model)



3. Research Methodology

3.1 Context of the Study, Sample Construction, and Data Sources

This research is an explanatory study and will be conducted using quantitative approach by collecting numerical data that are processed through a statistical analysis (Marshall, 1996). We undertake the following criteria from the prior study conducted by Aprilia & Wibowo, (2017) and Mollick (2014) to construct the sample with a slight adjustment, which are:

- (1) We consider projects located inside Indonesia as our homeland to facilitate the course of the research
- (2) The selected campaigns must be started and finished since Kitabisa was established as a platform (January 2017) until the end of June 2020 and we excluded the campaigns that are still active at the time of data collection
- (3) Selected campaigns must have at least IDR 20.000 (around \$2) under the minimum regulatory donation of Kitabisa
- (4) The fundraiser whose campaigns are chosen must be known the size of the social networks that measured by how much friends they have on Instagram.

Table 1: Summary of the Context of the Study, Sample Construction, and Data Sources

| | |
|--------------------------------------------------|-------------------------------------------------------------------------------------------------------------------------------------------------------------------------------------------------------------------------------------------------------|
| Research scope | We focus on the campaign within Indonesia as one of the countries that has a huge social crowdfunding platform |
| Research period | 3.5 years from January 2017 the inception year of targeted platform to June 2020. The reason behind is we set a procedure and standard when we choose a campaign to be a sample |
| Targeted platform as a source of campaign sample | www.kitabisa.com, this platform offers many advantages such as provides various and easily accessible data for testing our hypothesis, especially the data regarding fundraiser's status. |
| The number of sample | The total samples on this study is 220. Use G-Power (statistical power) 0.80 with the parameter at $\alpha=0.26$ and $\beta= 0.26$ using bootstrap method in which the minimum sample required is 148 (Fritz & MacKinnon, 2007; Robiady et al., 2020) |

3.2 Data Analysis

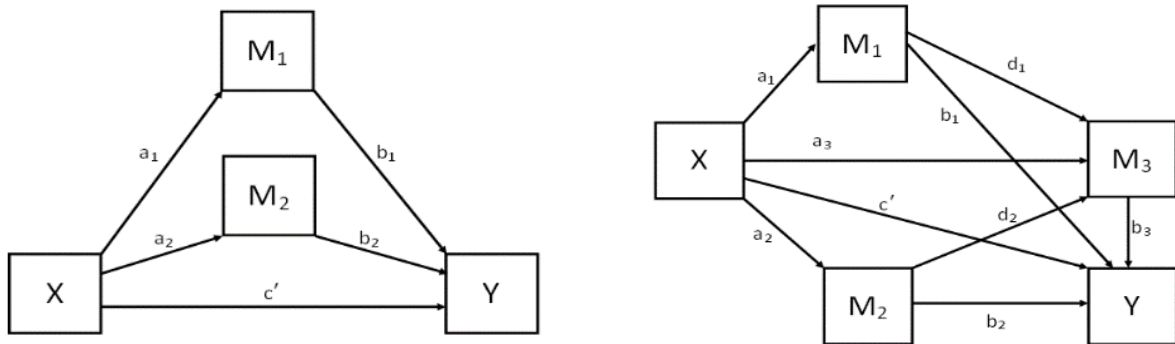
In this research, we set a research model based on multiple mediation principal in which there is a combination between two mediating variables in one research model (Edwards & Lambert, 2007). To test the effect of the variables, path analysis method was used on this research (Edwards & Lambert, 2007; Hayes, 2018; Shrout & Bolger, 2002). This method has been shown to have the greatest statistical performance (MacKinnon, Lockwood, Hoffman, West, & Sheets, 2002). The first step of data analysis on this research is analyzing the descriptive statistics. Descriptive statistic results general information about the data such as percentile values, central tendency (mean, modus, and median), dispersion values (standard deviation for example), and posterior distribution such as normality assumption for data distribution. Then, we test the normality assumption in order to figure out distribution pattern of the data by checking the kurtosis and skewness value for each observed variables. Normal data condition helps to boost the value of coefficient and the significant influence of the observed variables (Altay & Pal, 2014).

After the normality assumption test has finished, we will test the hypotheses using bias corrected bootstrap method to figure out the significant effect of direct and indirect influence in mediation paths of the model. We set alpha level of 0.05 as a standard error which consistent for a significant level in economic, business, and social sciences research. We use Process Macro 3.5 version on SPSS from Hayes to help us examine the hypotheses. We set 5000 bootstrapping using model 4b as it fit with our research model (Hayes, 2018).

Bootstrap will resample data thousand times and computed statistical parameters from resampled results. Thus, the assumption of normality is no longer required here (Hayes, 2018). We set conditioning values with standard deviation (SD) range in which there are -1SD, mean, and +1SD. To test the hypothesis with the bootstrap method, we need to look at the value of the confidence interval. Bootstrap will provide a lower (lower) and upper (upper) limit of the existing confidence levels. An analysis considered to be significant if the upper limit and lower limit are at the same pole, for example, both are positive or both are negative (Hayes, 2018). We set also the moderation and conditioning probe interactions with if $p < .10$. We don't use mean center of construction on all variables that define products to avoid multicollinearity among variables since we don't have any moderating variables inside.

We run two model of multiple mediation which are model 4b and 80. The first model will figure out the direct, indirect, and total effect of celebrities endorsement on donors' participation that mediated by news media coverage and online social network. While for the second model will figure out whether donors' participation also can mediate the previous predictor variables on donation performance. The equation of the research model could be seen as follows:

Figure 2: Research Model 4b and model 80 (Hayes, 2018)



Note: X = Celebrity status (celeb), M1 = News Media Coverage by digital news media (news), M2 = Size of online social network measured as number of Instagram followers (size), Y(M3) = Donors participation (donor), Y = Donation Performance (Pfmnc)

Model 4b

Model Equation(s): $Y = a + bX$

- donor = $b_0 + b_1(\text{news}) + b_2(\text{size}) + c'(\text{celeb})$
- news = $a_0 + a_1(\text{celeb})$
- size = $a_0 + a_2(\text{celeb})$

Model 80

Model Equation(s): $Y = a + bX$

- Pfmnc = $b_0 + b_1(\text{news}) + b_2(\text{size}) + b_3(\text{donor}) + c'(\text{celeb})$
- news = $a_0 + a_1(\text{celeb})$
- size = $a_0 + a_2(\text{celeb})$
- donors = $a_0 + a_3(\text{celeb}) + d_1(\text{news}) + d_2(\text{size})$

3.3 Variable Definitions and Measurements

| Variable | Definition | References | Measurements |
|-----------------------------------------|----------------------------------------------------------------------------------------------------------------------------------------------------------------------------------------------------------------------------------------------|--------------------------------------------------------------------------------------------------------------------------------------------------------------------------------------------------------|---------------------------------------------------------------------------------------------------------------------------------------------------------|
| Donation performance | Donation performance defined as how much donation that fundraisers received after the campaign raised on the platform and comparing with the funding target | Aprilia & Wibowo (2017), Kaartemo (2017), and Zheng et al., (2014) | Comparison of the real funding obtained through the crowdfunding project with the targeted project funding |
| Donors' participation | Donors' participation defined as the number of people who attracted to donate and participate on the campaign as well as give some comments as their engagement on the campaign activity. | Block, Hornuf, & Moritz (2018) and Zvilichovsky and Danziger, & Steinhart (2018) | It measured crowdfunding participation by looking at the number of donors participate on a crowdfunding campaign |
| Celebrities and Influencers Endorsement | Celebrity is a person who has an attention capital from the public based on what they have been made on the entertainment achievement that made people curious about. we use the term of celebrity endorsement as a fundraiser of a campaign | We follow research from Creek (2018) and Belleflamme et al., (2013) who put fundraiser status as dichotomous independent variable such as non-profit and for-profit organizations or celebrity status. | This variable represented by categorical variable (dichotomous) where code "1" is for celebrity fundraiser and code "0" is for non-celebrity fundraiser |

| Variable | Definition | References | Measurements |
|--------------------------------|-----------------------------------------------------------------------------------------------------------------------------------------------------------------------------------|---------------------------------------------------------------------------------------------|---------------------------------------------------------------------------------------------------------------------------------------------------------------------------------------------------------------------------------------------------------------------------|
| News Media Coverage | Media attention to expose some fundraising activities in crowdfunding which in turn will reported on the news line to people as a cognitive process | Narayan & Narayan (2017) and Wouters, Swert, & Walgrave (2009) | We follow the research from Narayan & Narayan (2017) by counting the total number of news spread by digital news platforms including social media platforms in some period (months, years, days). We seeking the news by utilizing digital search engine which is Google. |
| Size of Online Social Networks | Degree of width social network in internet environment which can be conceived as a network resource equivalent to social capital that facilitates collaboration and conversation. | (Guo et al., 2015; Remy et al., 2013; Taxidou & Fischer, 2014; Zhou, Lu, Fan, & Wang, 2018) | We measured this variable by looking at the number of followers in social media. In this research we use Instagram as the most popular social media in Indonesia |

3.4 Descriptive Statistic and Data Summary

| Descriptive Statistics | | | | | | | | | | |
|--------------------------------------------|-----------|-----------|-----------|------------|------------|----------------|-----------|------------|-----------|------------|
| | N | Minimum | Maximum | Mean | | Std. Deviation | Skewness | | Kurtosis | |
| | Statistic | Statistic | Statistic | Statistic | Std. Error | Statistic | Statistic | Std. Error | Statistic | Std. Error |
| Ln_size | 205 | 4.20469 | 17.59286 | 10.5091406 | .23252808 | 3.32929539 | .147 | .170 | -.990 | .338 |
| Ln_pfmnc | 205 | -2.61716 | 1.32602 | -.4225942 | .05290656 | .75750666 | -.959 | .170 | .439 | .338 |
| Ln_donor | 205 | 1.09861 | 11.10826 | 6.9171481 | .13739109 | 1.96714101 | -.353 | .170 | -.153 | .338 |
| SMEAN(Ln_News) | 205 | .00000 | 4.09434 | 1.2334092 | .07019604 | 1.00505441 | .956 | .170 | .583 | .338 |
| status=Celebrity | 205 | .00 | 1.00 | .2976 | .03201 | .45830 | .892 | .170 | -1.216 | .338 |
| Year=2018 | 205 | .00 | 1.00 | .2439 | .03007 | .43049 | 1.202 | .170 | -.562 | .338 |
| Year=2019 | 205 | .00 | 1.00 | .2683 | .03102 | .44416 | 1.054 | .170 | -.899 | .338 |
| Year=2020 | 205 | .00 | 1.00 | .4390 | .03475 | .49748 | .248 | .170 | -1.958 | .338 |
| campaign=Natural Disaster and Emergency | 205 | .00 | 1.00 | .3902 | .03415 | .48900 | .453 | .170 | -1.812 | .338 |
| campaign=Education | 205 | .00 | 1.00 | .1220 | .02291 | .32803 | 2.328 | .170 | 3.452 | .338 |
| campaign=Medical Health Disability | 205 | .00 | 1.00 | .2732 | .03120 | .44668 | 1.026 | .170 | -.958 | .338 |
| campaign=International Humanitarian Relief | 205 | .00 | 1.00 | .0439 | .01434 | .20538 | 4.485 | .170 | 18.296 | .338 |
| campaign=Social and Enviromental | 205 | .00 | 1.00 | .1707 | .02634 | .37720 | 1.763 | .170 | 1.119 | .338 |
| Valid N (listwise) | 205 | | | | | | | | | |

4. Hypotheses Results and Discussion

4.1 Hypothesis Testing Results

Table 2: Statistical Results from Process Macro 3.5

| | Ln_News (Model 4b) | | | Ln_size (Model 4b) | | | Donors (model 4b) | | | Pfmnc (model 80) | | |
|------------------------------------------------|--------------------|-------|----------------|-------------------------------------------------------------------|-------|---------------|-------------------|-------|---------------|--------------------------------------------------------------------|-------|----------------|
| | coeff | p | CI | coeff | p | CI | coeff | p | CI | coeff | p | CI |
| Ln_size | | | | 7.2543 | .0000 | 5.8667,8.5800 | .1299 | .0167 | .0069,.2567 | -.0062 | .7814 | -.4840,.0366 |
| Ln_pfmnc | | | | | | | | | | -1.3512 | .0000 | -1.9534,-.7341 |
| Ln_donor | | | | | | | 1.6477 | .0304 | .1108,3.2002 | .1110 | .0002 | .0548,.1691 |
| Ln_News | 1.0752 | .0016 | .6081,1.6048 | | | .0467,.5730 | .3206 | .0190 | .0467,.5730 | -.0496 | .3791 | -.1516,.0487 |
| Celebrity | .4560 | .0064 | .0988,.8227 | 5.0154 | .0000 | 4.1200,5.8137 | .2539 | .5422 | -.6050,1.1547 | .5099 | .0031 | .2117,.8042 |
| 2018 | -.2765 | .3864 | -.7636,.1791 | 1.8943 | .0192 | .6041,3.1613 | 1.7724 | .0042 | .6101,2.8897 | .0265 | .9175 | .4866,.5248 |
| 2019 | .0440 | .8883 | -.3989,.4874 | 1.2283 | .1206 | .0242,2.4248 | 2.6964 | .0000 | 1.6042,3.7906 | .0912 | .7219 | -.4178,.5990 |
| 2020 | .0541 | .8592 | -.3763,.4704 | 1.2465 | .1058 | .0060,2.4325 | 2.9020 | .0000 | 1.7862,3.9647 | .0230 | .9274 | -.4285,.4985 |
| Natural Disaster and Emergency | .4921 | .0171 | .0810,.8849 | .7810 | .1313 | -.2305,1.8199 | .5423 | .1707 | -.2443,1.3788 | .1958 | .2288 | -.1104,.5293 |
| Education | -.1022 | .6708 | -.4510,.2327 | -.4594 | .4484 | -1.5763,.6931 | .1534 | .7361 | -.8199,1.1169 | -.0952 | .6096 | -.5156,.3199 |
| Medical Health Disability | -.3387 | .0951 | -.6851,-.0046 | -.8066 | .1105 | -1.8222,.2165 | .7351 | .0562 | -.0358,1.5444 | .0255 | .8721 | -.3184,.3746 |
| International Humanitarian Relief | -.5307 | .1199 | -1.0173,-.0575 | 1.0458 | .2233 | -.5872,2.7069 | .6032 | .3539 | .4808,1.7165 | -.5554 | .0383 | -1.1933,.0694 |
| NGOs | -.0241 | .8840 | -.3445,.2752 | .9065 | .0305 | .0548,1.7343 | 1.4170 | .0000 | .7305,2.1239 | .1219 | .3707 | -.1838,.4136 |
| Indirect Effect (X on Y) Model 4b | | | | Celeb -> news -> donor: (coeff=.1462, SE=.0863, CI=[.0070,.3421]) | | | | | | Celeb -> size -> donor: (coeff=.6514, SE=.3165, CI=[.0329,1.2652]) | | |
| Total Effect (X on Y) Model 4b | | | | (coeff=1.0515, p=.0012, CI=[.4190, 1.6841]) | | | | | | | | |
| Total Effect (X on Y) Model 80 | | | | (coeff=.5729, p=.0000, CI=[.8326,.7562]) | | | | | | | | |
| Indirect Effect (X on Y) Model 80 | | | | | | | | | | | | |
| Ind4 (a1b3d1): Celeb -> news -> donor -> pfmnc | | | | (coeff=.0214, SE=.0140, CI=[.0012, .0548]) | | | | | | | | |
| Ind5 (a2b3d2): Celeb -> size -> donor -> pfmnc | | | | (coeff=.0955, SE=.0503, CI=[.0044, .2021]) | | | | | | | | |

4.2 Discussions and Contributions

First of all, we started our data analysis process by transforming our data into the form of natural logarithm. This measure must be taken to push the degree of normality distribution till the boundary value. Even though bias corrected bootstrap doesn't require normality assumption on data distribution, this measure still being crucial to improve the value of coefficient and avoid regression bias results. As we can see on the descriptive statistic table above, the ratio values of the kurtosis and skewness in pairs where the actual value divided by the standard error remain non-significant at a range of -2 and 2 (Brown, 1997). However, the ratio values in pairs has significantly increased and approaching the normal limit boundary compared to the original data. We also eliminated some outlier data on each variable and made our number of data reduced from 220 to 205 in order to push the kurtosis and skewness ratio. After we do all those things, we saw that the statistical values either in terms of coefficient, p values, or confidence interval of bootstrap have been changed better.

Afterwards, we tried to test the hypotheses we had by running the model 4b as our main model to answer the question whether news media coverage and exposure on the digital fundraising campaign in crowdfunding platforms brought by the celebrities and influencers as well as the wider size of online social networks will help the process of celebrities and influencers endorsements to attract as much as possible donors' participation and engagement. The results on the table 4.1 shows that celebrity endorsement positively affect news media coverage (coeff=.4560, p=.0064, CI= [.0988, .8227]) and size of online social networks (coeff=5.0154, p=.0000, CI= [4.1200, 5.8137]) in a significant direct relation. Besides, the direct effect of celebrity endorsement on donors' participation instead was non-significant (coeff=.2539, p=.5422, CI= [-.6050, 1.1547]). The direct effect between news media coverage (coeff=.3206, p=.0190, CI= [.0467, .5730]) and size of online social networks (coeff= .1299, p=.0167, CI= [.0069, .2567]) was also significant on donors' participation and engagement.

Move to indirect effects, news media coverage significantly mediates the relationship between celebrities endorsement and donors' participation in a positive way (coeff=.1462, SE=.0863, CI= [.0070, .3421]). This positive vibe also happened on the size of online social networks which succeed to mediate the relationship of celebrity endorsement on donors' participation

(coeff=.6514, SE=.3165, CI= [.0329, 1.2652]). This means that we got partial multiple mediation effect in which the direct effect has non-significant contribution whereas the indirect effect instead do significant on the outcomes. The contribution of the indirect effect from these two mediating variables was very significant. They were contribute at least 75.85% from the total effect (coeff=1.0515). Therefore, the hypothesis 1, 2 and 4 in this research has been supported.

To answer the hypothesis 3 and 5, we run model 80 as an additional measures. As we mentioned before, at this stage we only focus on path a1b3d1 and a2b3d2 to figure out whether as the third mediating variable (not as an outcome variable) donors' participation also can mediate the celebrity endorsement on donation performance along with the rest two mediating variable (news coverage and OSNs). Looking to the table 4.1 above, the result shows that donors' participation indeed significantly influence donation performance either in direct or indirect effect. The number of donors' participation and engagement along with news media coverage simultaneously mediate celebrity endorsement on donation performance in significant scale (coeff=.0214, SE=.0140, CI= [.0012, .0548]) likewise with the size of OSNs (coeff=.0955, SE=.0503, CI= [.0044, .2021]). Therefore hypothesis 3 and 5 on this research have supported.

This research supported research from Creek (2018), Budabin & Richey (2018), and Xu et al., (2020) who strengthen the arguments that the involvement of celebrities on digital philanthropic agenda has beneficial effect and conversely rejected the research from Hassid & Jeffreys (2015) who have revealed that news media doing nothing in effort to help celebrities advertise their philanthropic activities. The strong relationship between celebrities and news media exposure reflected on the celebrity news nomenclature indeed proven to be effective strategy to attract donors' participation. At the same time this research also rebutted the research from Crosson (2005) as cited on Waters (2013) and Yörük (2012) who revealed that people who were informed by news media about the social campaign did not increase their charitable giving activities. This research indeed has been proving that in the end celebrities' endorsement will increase donation performance thanks to the mediating role of news, OSNs, and donors' participation and engagement.

The second streamline strategy of celebrities to endorse some social campaign in crowdfunding platforms is leveraging the wider online social networks capital they had. We actually no wonder about the results since prior studies agreed that the size of social networks is the critical source of information diffusion and news propagation in social media (Dong, Li, Zhang, & Cai, 2018; Feng, Bai, & Chen, 2015; Lee & Ma, 2012; Tsagkias, De Rijke, & Weerkamp, 2011; Zauner et al., 2012). The wider size of online social networks owned by fundraisers especially celebrities, the bigger donors' participation would be attracted. The wider OSNs helps the process of information diffusion and news propagation in social media running well.

The control variables also gave important contribution to the predictor and outcomes variables. Campaign in theme of Natural Disaster and Emergency Response (NDE) has significant effect on news media coverage (coeff= .4921, p=.0171, CI= [.0810, .8849]). This result implies that during disaster and emergency period, news media more often to expose the social and humanitarian activities either in terms of fundraising or volunteering. Whereas the nonprofit organizations (NGOs) involvement (coeff=1.4170, p=.0000, CI= [.7305, 2.1239]) and year of campaigns (in all years) was significantly affect donors' participation. Based on the statistical result, 2020 was the most crowded (coeff=2.9020) year compared to other years in terms of donation activities as the COVID-19 outbreak has been spreading all over the world. The issues of COVID-19 outbreak became excellence example how year has a strong effect on charitable fundraising activities. The NGOs involvement as a leader player in this industry was also significantly affect donors' participation. NGOs have a tons of experiences, humanitarian networks, strong volunteer and loyal donors that make whatever kinds of campaign handled by them would be significantly success.

5. Conclusion, Limitations, and Future Research Directions

Celebrities and influencers endorsement proven to be an effective strategy to attract donors' participation for campaigns in social crowdfunding platforms. The various capitals embedded on their status, especially themselves as a center of news media attention and the wider online social networks and followers according to the results of this research became the two main streamline effective method of celebrities and influencers to attract donors' participation and increase donation performance. However, this research conducted with a quite small number of samples (220). Compared to whole campaigns population on targeted platforms (22,401), at least this research should be able to running the samples in a range of 550-1000 samples. Future research might be do better to do so. Beside this research also didn't answer and deeply explained what kind of celebrities are most effective at attracting public attention in order to participate in a social campaign. I might be very useful for the theory construction if the future research can do so.

References

- Ahlers, G. K. C., Cumming, D., Günther, C., & Schweizer, D. (2015). Signaling in Equity Crowdfunding. *Entrepreneurship: Theory and Practice*, 39(4), 955-980.
<https://doi.org/10.1111/etap.12157>
- Altay, N., & Pal, R. (2014). Information diffusion among agents: Implications for humanitarian operations. *Production and Operations Management*, 23(6), 1015-1027.
<https://doi.org/10.1111/poms.12102>
- Ángeles Oviedo-García, M., Muñoz-Expósito, M., Castellanos-Verdugo, M., & Sancho-Mejías, M. (2014). Metric proposal for customer engagement in Facebook. *Journal of Research in Interactive Marketing*, 8(4), 327-344. <https://doi.org/10.1108/JRIM-05-2014-0028>
- Aprilia, Lady, & Wibowo, S. S. (2017). The Impact of Social Capital on Crowdfunding Performance. *The South East Asian Journal of Management*, 11(1), 44-57.
<https://doi.org/10.21002/seam.v11i1.7737>
- Arifianto, A., Bayu, Q. D. A. P., Sulistiyo, M. D., Ignatius Wendianto, N., Anwari, N. D., Satria, M. A., ... Putri, R. A. (2018). Endorsement recommendation using Instagram follower profiling. 2018 6th International Conference on Information and Communication Technology, ICoICT 2018, 0(c), 470-475. <https://doi.org/10.1109/ICoICT.2018.8528724>
- Babiak, K., Mills, B., Tainsky, S., & Juravich, M. (2012). An investigation into professional athlete philanthropy: Why charity is part of the game. *Journal of Sport Management*, 26(2), 159-176. <https://doi.org/10.1123/jsm.26.2.159>
- Bakshy, E., Rosenn, I., Marlow, C., & Adamic, L. (2012). The Role of Social Networks in Information Diffusion. *International World Wide Web Conference Com- Mitte*, 519-528.
<https://doi.org/10.1007/BF02889544>
- Belleflamme, P., Lambert, T., & Schwienbacher, A. (2013). Individual crowdfunding practices. *Venture Capital*, Vol. 15, pp. 313-333. <https://doi.org/10.1080/13691066.2013.785151>
- Block, J., Hornuf, L., & Moritz, A. (2018). Which updates during an equity crowdfunding campaign increase crowd participation? *Small Business Economics*, 50(1), 3-27.
<https://doi.org/10.1007/s11187-017-9876-4>
- Brown, J. D. (1997). *Skewness and kurtosis*. Shiken: JALT Testing & Evaluation SIG.

- Budabin, A. C., & Richey, L. A. (2018). Advocacy narratives and celebrity engagement: The case of Ben Affleck in Congo. *Human Rights Quarterly*, 40(2), 260-286.
<https://doi.org/10.1353/hrq.2018.0015>
- Chadha, R. (2017, November). Millennials Are Wary of Celebrity Endorsements. *Insider Intelligence*. Retrieved from <https://www.emarketer.com/content/millennials-are-wary-of-celebrity-endorsements>
- Creek, S. A. (2018). *The Dark Side of Entrepreneurial Crowdfunding*. Washington State University.
- De Veirman, M., Hudders, L., & Nelson, M. R. (2019). What Is Influencer Marketing and How Does It Target Children? A Review and Direction for Future Research. *Frontiers in Psychology*, 10(December). <https://doi.org/10.3389/fpsyg.2019.02685>
- Dong, R., Li, L., Zhang, Q., & Cai, G. (2018). Information Diffusion on Social Media during Natural Disasters. *IEEE Transactions on Computational Social Systems*, 5(1), 265-276.
<https://doi.org/10.1109/TCSS.2017.2786545>
- Driessens, O. (2013). Celebrity capital: Redefining celebrity using field theory. *Theory and Society*, 42(5), 543-560. <https://doi.org/10.1007/s11186-013-9202-3>
- Dubied, A., & Hanitzsch, T. (2014). Studying celebrity news. *Journalism*, 15(2), 137-143.
<https://doi.org/10.1177/1464884913488717>
- Edwards, J. R., & Lambert, L. S. (2007). Methods for integrating moderation and mediation: A general analytical framework using moderated path analysis. *Psychological Methods*, 12(1), 1-22. <https://doi.org/10.1037/1082-989X.12.1.1>
- Enke, N., & Borchers, N. S. (2019). Social Media Influencers in Strategic Communication: A Conceptual Framework for Strategic Social Media Influencer Communication. *International Journal of Strategic Communication*, 13(4), 261-277.
<https://doi.org/10.1080/1553118X.2019.1620234>
- Erdogan, B. Z. (1999). Celebrity Endorsement: A Literature Review. *Journal of Marketing Management*, 15(4), 291-314. <https://doi.org/10.1362/026725799784870379>

- Feng, Y., Bai, B., & Chen, W. (2015). Information diffusion efficiency in online social networks. *International Conference on Digital Signal Processing, DSP, 2015-Septe*, 1138-1142. <https://doi.org/10.1109/ICDSP.2015.7252057>
- Fritz, M. S., & MacKinnon, D. P. (2007). Required sample size to detect the mediated effect. *Psychological Science*, 18(3), 233-239. <https://doi.org/10.1111/j.1467-9280.2007.01882.x>
- Gene Zucker, H. (1978). The Variable Nature of News Media Influence. *Annals of the International Communication Association*, 2(1), 225-240. <https://doi.org/10.1080/23808985.1978.11923728>
- Gerber, E. M., Hui, J. S., & Kuo, P.-Y. (2012). Crowdfunding: Why people are motivated to post and fund projects on crowdfunding platforms. *Proc. of the International Workshop on ...*, 10. <https://doi.org/http://dx.doi.org/10.1145/2530540>
- Giudici, G., Guerini, M., & Rossi-Lamastra, C. (2018). Reward-based crowdfunding of entrepreneurial projects: the effect of local altruism and localized social capital on proponents' success. *Small Business Economics*, 50(2), 307-324. <https://doi.org/10.1007/s11187-016-9830-x>
- Guo, L., Zhou, D., Chen, Y., & Huy, R. (2015). Platform Strategy and Market Response Impact on the Success of Crowdfunding: A Chinese Case. *Asian Journal of Innovation and Policy*, 4(3), 397-409. <https://doi.org/10.7545/ajip.2015.4.3.397>
- Hassid, J., & Jeffreys, E. (2015). Doing good or doing nothing? Celebrity, media and philanthropy in China. *Third World Quarterly*, 36(1), 75-93. <https://doi.org/10.1080/01436597.2015.976019>
- Hayes, A. F. (2018). *Introduction to Mediation, Moderation, and Conditional Process Analysis* (2nd ed.; T. D. Little, Ed.). New York: The Guilford Press.
- Hayward, M. L. A., Rindova, V. P., & Pollock, T. G. (2004). Believing one's own press: The causes and consequences of CEO celebrity. *Strategic Management Journal*, 25(7), 637-653. <https://doi.org/10.1002/smj.405>
- Huang, R., & Sun, X. (2014). Weibo network, information diffusion and implications for collective action in China. *Information Communication and Society*, 17(1), 86-104. <https://doi.org/10.1080/1369118X.2013.853817>

- Kaartemo, V. (2017). The elements of a successful crowdfunding campaign: a systematic literature review of crowdfunding performance. *International Review of Entrepreneurship*, 15(3), 291-318.
- Ketchen, D. J., Adams, G. L., & Shook, C. L. (2008). Understanding and managing CEO celebrity. *Business Horizons*, 51(6), 529-534. <https://doi.org/10.1016/j.bushor.2008.06.003>
- Kim, J., Bae, J., & Hastak, M. (2018). Emergency information diffusion on online social media during storm Cindy in U.S. *International Journal of Information Management*, 40(March), 153-165. <https://doi.org/10.1016/j.ijinfomgt.2018.02.003>
- Lee, C. S., & Ma, L. (2012). News sharing in social media: The effect of gratifications and prior experience. *Computers in Human Behavior*, 28(2), 331-339. <https://doi.org/10.1016/j.chb.2011.10.002>
- Lerman, K., & Ghosh, R. (2010). Information contagion: An empirical study of the spread of news on Digg and Twitter social networks. *ICWSM 2010 - Proceedings of the 4th International AAAI Conference on Weblogs and Social Media*, 90-97.
- Liu, L., Suh, A., & Wagner, C. (2018). Empathy or perceived credibility? An empirical study on individual donation behavior in charitable crowdfunding. *Internet Research*, 28(3), 623-651. <https://doi.org/10.1108/IntR-06-2017-0240>
- Lu, C.-T., Xie, S., Kong, X., & Yu, P. S. (2014). Inferring the impacts of social media on crowdfunding. *Proceedings of the 7th ACM International Conference on Web Search and Data Mining*, 573-582.
- MacKinnon, D. P., Lockwood, C. M., Hoffman, J. M., West, S. G., & Sheets, V. (2002). A comparison of methods to test mediation and other intervening variable effects. *Psychological Methods*, 7(1), 83-104. <https://doi.org/10.1037/1082-989X.7.1.83>
- Marshall, M. N. (1996). Sampling for Qualitative Research. *Family Parctice*, 13(6), 522-526. [https://doi.org/10.1016/S0001-2092\(06\)61990-X](https://doi.org/10.1016/S0001-2092(06)61990-X)
- Mollick, E. (2014). The dynamics of crowdfunding: An exploratory study. *Journal of Business Venturing*, 29(1), 1-16. <https://doi.org/10.1016/j.jbusvent.2013.06.005>

- Narayan, S., & Narayan, P. K. (2017). Are Oil Price News Headlines Statistically and Economically Significant for Investors? *Journal of Behavioral Finance*, 18(3), 258-270. <https://doi.org/10.1080/15427560.2017.1308942>
- Niederhoffer, V. (1971). *The Analysis of World Events and Stock Prices* Author (s): Victor Niederhoffer Published by: The University of Chicago Press Stable URL : <http://www.jstor.com/stable/2351663> REFERENCES Linked references are available on JSTOR for this article: referenc. *The Journal of Business*, 44(2), 193-219.
- Petty, R. E., Cacioppo, J. T., & Goldman, R. (1981). Personal involvement as a determinant of argument-based persuasion. *Journal of Personality and Social Psychology*, 41(5), 847-855. <https://doi.org/10.1037//0022-3514.41.5.847>
- Phua, J., Lin, J. S. (Elaine), & Lim, D. J. (2018). Understanding consumer engagement with celebrity-endorsed E-Cigarette advertising on instagram. *Computers in Human Behavior*, 84, 93-102. <https://doi.org/10.1016/j.chb.2018.02.031>
- Potter, W. J. (2017). What is a Media Effect? In *Media Effects* (1st ed., pp. 33-50). <https://doi.org/10.4135/9781544308500.n3>
- Remy, C., Pervin, N., Toriumi, F., & Takeda, H. (2013). Information diffusion on twitter: Everyone has its chance, but all chances are not equal. *Proceedings - 2013 International Conference on Signal-Image Technology and Internet-Based Systems, SITIS 2013, (December)*, 483-490. <https://doi.org/10.1109/SITIS.2013.84>
- Ricketts, A. (2018). Most people say celebrity endorsement does not affect donation decisions. *Third Sector*. Retrieved from <https://www.thirdsector.co.uk/people-say-celebrity-endorsement-does-not-affect-donation-decisions/fundraising/article/1459568>
- Robiady, N. D., Windasari, N. A., & Nita, A. (2020). Customer engagement in online social crowdfunding: The influence of storytelling technique on donation performance. *International Journal of Research in Marketing*, (xxxx), 1-9. <https://doi.org/10.1016/j.ijresmar.2020.03.001>
- Schouten, A. P., Janssen, L., & Verspaget, M. (2020). Celebrity vs. Influencer endorsements in advertising: the role of identification, credibility, and Product-Endorser fit. *International Journal of Advertising*, 39(2), 258-281. <https://doi.org/10.1080/02650487.2019.1634898>

- Shen, F., Wang, N., Guo, Z., & Guo, L. (2009). Online network size, efficacy, and opinion expression: Assessing the impacts of internet use in China. *International Journal of Public Opinion Research*, 21(4), 451-476. <https://doi.org/10.1093/ijpor/edp046>
- Shrout, P. E., & Bolger, N. (2002). Mediation in experimental and nonexperimental studies: New procedures and recommendations. *Psychological Methods*, 7(4), 422-445. <https://doi.org/10.1037/1082-989X.7.4.422>
- Stieglitz, S., & Dang-Xuan, L. (2013). Emotions and information diffusion in social media - Sentiment of microblogs and sharing behavior. *Journal of Management Information Systems*, 29(4), 217-248. <https://doi.org/10.2753/MIS0742-1222290408>
- Sutherland, M., & Galloway, J. (1981). Role of advertising: Persuasion or agenda setting. *Journal of Advertising Research*, 21(5), 25-29.
- Taxidou, I., & Fischer, P. M. (2014). Online analysis of information diffusion in twitter. *WWW 2014 Companion - Proceedings of the 23rd International Conference on World Wide Web*, 1313-1318. <https://doi.org/10.1145/2567948.2580050>
- Thrall, A. T., Lollo-Fakhreddine, J., Berent, J., Donnelly, L., Herrin, W., Paquette, Z., ... Wyatt, A. (2008). Star power: Celebrity advocacy and the evolution of the public sphere. *International Journal of Press/Politics*, 13(4), 362-385. <https://doi.org/10.1177/1940161208319098>
- Tom, G., Clark, R., Elmer, L., Grech, E., Masetti, J., & Sandhar, H. (1992). The use of created versus celebrity spokespersons in advertisements. *Journal of Consumer Marketing*, 9(4), 45-51. <https://doi.org/10.1108/07363769210037088>
- Tsagkias, M., De Rijke, M., & Weerkamp, W. (2011). Linking online news and social media. *Proceedings of the 4th ACM International Conference on Web Search and Data Mining, WSDM 2011*, 565-574. <https://doi.org/10.1145/1935826.1935906>
- Waters, R. D. (2013). Tracing the Impact of Media Relations and Television Coverage on U.S. Charitable Relief Fundraising: An Application of Agenda-Setting Theory across Three Natural Disasters. *Journal of Public Relations Research*, 25(4), 329-346. <https://doi.org/10.1080/1062726X.2013.806870>

- Waters, R. D., & Tindall, N. T. J. (2011). Exploring the Impact of American News Coverage on Crisis Fundraising: Using Media Theory to Explicate a New Model of Fundraising Communication. *Journal of Nonprofit and Public Sector Marketing*, 23(1), 20-40.
<https://doi.org/10.1080/10495142.2010.494875>
- Wheeler, R. T. (2009). Nonprofit advertising: Impact of celebrity connection, involvement and gender on source credibility and intention to volunteer time or donate money. *Journal of Nonprofit and Public Sector Marketing*, 21(1), 80-107.
<https://doi.org/10.1080/10495140802111984>
- Wouters, R., Swert, K. De, & Walgrave, S. (2009). A Window on the World . The Status of Foreign News Coverage in the Media: Facts , Impact and. (January).
- Xu, C., Jiang, Y., & Zhou, Y. (2020). The Impact of Celebrity Endorsers' Attributes on Micro-auction Donation Crowdfunding: Evidence from Bidders' Visual Attention Chen. Available at SSRN 3675188, 1(June), 1-14.
- Yang, J., & Counts, S. (2010). Predicting the speed, scale, and range of information diffusion in twitter. Fourth International AAAI Conference on Weblogs and Social Media. Citeseer.
- Yang, Y., Zhou, W., & Zhang, D. (2019). Celebrity Philanthropy in China: An Analysis of Social Network Effect on Philanthropic Engagement. *Voluntas*, 30(4), 693-708.
<https://doi.org/10.1007/s11266-018-9997-7>
- Yoo, E., Rand, W., Eftekhari, M., & Rabinovich, E. (2016). Evaluating information diffusion speed and its determinants in social media networks during humanitarian crises. *Journal of Operations Management*, 45(July), 123-133. <https://doi.org/10.1016/j.jom.2016.05.007>
- Yörük, B. K. (2012). The Effect of Media on Charitable Giving and Volunteering: Evidence from the "Give Five" Campaign. *Journal of Policy Analysis and Management*, 31(4), 813-836.
<https://doi.org/10.1002/pam.21634>
- Zauner, A., Fink, M., Maresch, D., & Aschauer, E. (2012). Community marketing in social media - Can marketers leverage Facebook groups of celebrities? *International Journal of Entrepreneurship and Small Business*, 16(4), 406-421.
<https://doi.org/10.1504/IJESB.2012.047609>

Zheng, H., Li, D., Wu, J., & Xu, Y. (2014). The role of multidimensional social capital in crowdfunding: A comparative study in China and US. *Information and Management*, 51(4), 488-496. <https://doi.org/10.1016/j.im.2014.03.003>

Zhou, M. J., Lu, B., Fan, W. P., & Wang, G. A. (2018). Project description and crowdfunding success: an exploratory study. *Information Systems Frontiers*, 20(2), 259-274. <https://doi.org/10.1007/s10796-016-9723-1>

Zvilichovsky, D., Danziger, S., & Steinhart, Y. (2018). Making-the-Product-Happen: A Driver of Crowdfunding Participation. *Journal of Interactive Marketing*, 41, 81-93. <https://doi.org/10.1016/j.intmar.2017.10.002>

